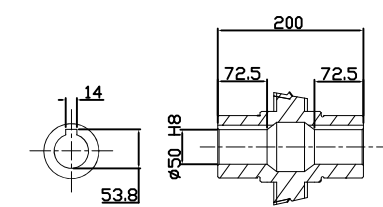
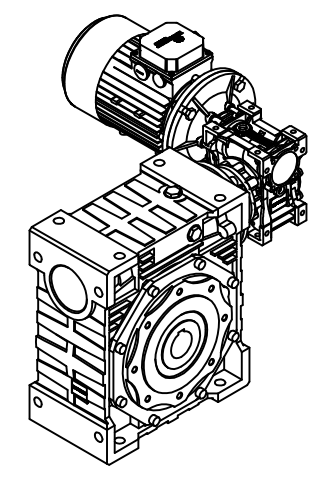
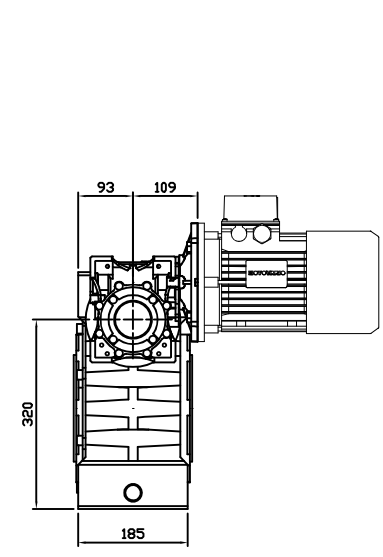
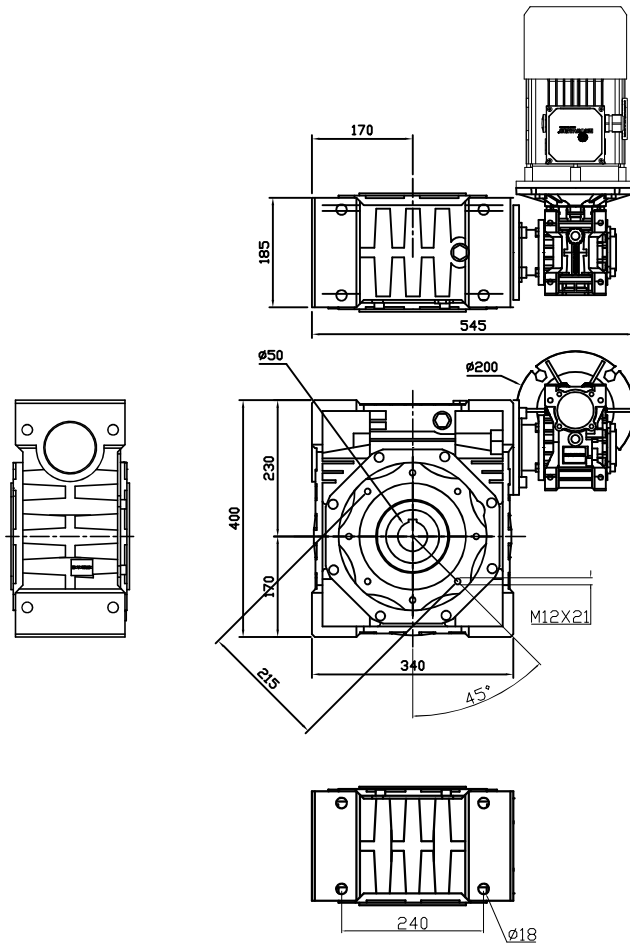


REDUCER SPEC	
MODEL	NMRV-P063/150
SERVICE FACTOR	1.1
RATIO	500
OUTPUT [rpm]	3.5
OUTPUT TORQUE [Nm]	2219
WEIGHT [kg]	90.2

MOTOR SPEC	
MODEL	TPA/90B5 220/380V
POWER [kW]	1.5
POLE, PHASE	4P, 3PHASE
INPUT [rpm]	1750
BRAKE	NO
WEIGHT [kg]	19.7



OUTPUT HOLLOW SHAFT


(주)한국체인모터
 Tel. 032-815-8888 Fax. 815-8020
 www.hcmfa.com

PROJECT		MOTOVARIO					
DRAWN	SEO Y.S	DATE		REV	A	SCALE	1:1
CHECKED	KIM J.S	DATE		UNIT	MM	PAGE	-
APPROVED	LEE J.Y	DATE		